

ABOUT US:

Marcello Riccetti
Master Degree in Civil Engineering,
structural designer in the civil field.

marcello@xsteeldetailing.com
Cel. +39 339 3066598

Giovanni Cugusi
Master Degree in Civil Engineering,
structural designer in the civil field.

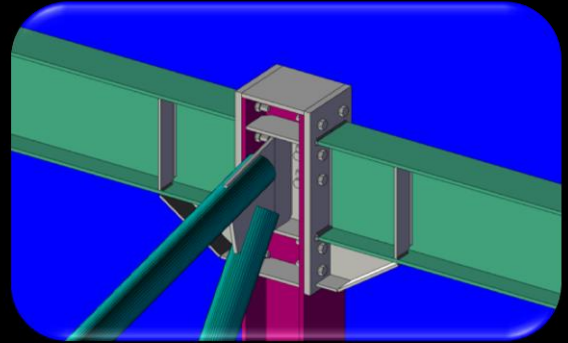
giovanni@xsteeldetailing.com
Cel. +39 328 0386779

CONTACTS:

Head Quarter: Via Piero Gobetti 23/P
52100 Arezzo (Italy)

email: info@xsteeldetailing.com

www.xsteeldetailing.com



Our main **consulting** activity, in the field of construction, is addressed to the development of the **construction detail** from a **structural** point of view.

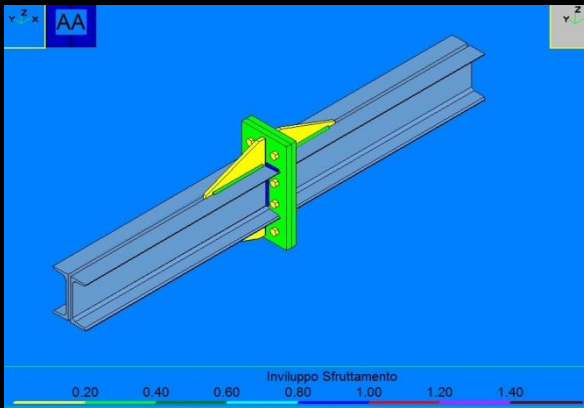
The **structural details** mainly for **steel constructions** are modeled in **3D** using the software "**TEKLA STRUCTURES**" that allows a "**BIM oriented**" design approach. **Structural connections** are also designed and analyzed through the specific software "**C.S.E.**" (**CONNECTION STUDY ENVIRONMENT**) with which it is possible to design non-standard connections.



TECHNICAL CONSULTING

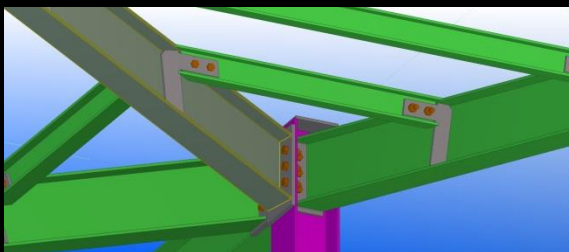
Our activity of **technical consulting** covers the following areas:

- feasibility and constructability of **construction details** to obtain the best **structural** and **energetic** solution (**TEKLA STRUCTURES**)
- design and analysis of **structural steel connections** through the software **C.S.E.** with which it is possible the modeling of any type of node, its F.E.M. analysis, and its verification according with international codes (Eurocode 3, AISC-LRFD, BS-5950, SNIP II, IS800: 2007)



CONSTRUCTION DETAILS

3D modeling of construction details for **steel structures** through the use of the software **TEKLA STRUCTURES** which offers the possibility of obtaining executive drawings (prefabrication and assembly) and interfacing directly with workshops of **metallic carpentry** providing them data files that can be directly used by **CNC machines**.



STRUCTURES

Design of **steel**, **reinforced concrete**, **masonry** and **wood** structures for the civil and industrial field, concerning **new constructions** and **existing constructions**.



PROFESSIONALISM

The ethical principles underlying our services are conducted through a relationship of utmost fairness, honesty and punctuality with customers. Moreover we try to guarantee the continuous improvement of our skills through the study of scientific literature, training, use of the best software available, cultural comparisons with other professionals and university professors.